

4

3

2

1

This drawing involves proprietary design rights of Tyco Electronics Corporation, and all design, manufacture, reproduction, use and sale rights regarding the same are expressly reserved. It is submitted for a specific purpose and the recipient by accepting this drawing, assumes custody and control and agrees to take reasonable precautions: (a) that this drawing will not be copied and reproduced, in whole or in part, or its contents revealed in any manner, or to any person except to meet the purpose for which it was delivered and (b) that any special features peculiar to this design will not be incorporated in other projects without the expressed written permission of Tyco Electronics Corporation.

REVISIONS			
EC	REV	DESCRIPTION	DATE
—	A	NEW RELEASE, PREVIOUSLY CUD 399-017	02/25/06

B

B

5. ITEMS PROVIDED TO THIS SPECIFICATION TO BE PERMANENTLY IDENTIFIED PER THE FOLLOWING IDENTIFIER:

YEAR WEEK

TYCO PART NUMBER DATE CODE (e.g. 0625)

XXXXXXXX-X XXXX

4. ALL DIMENSIONS SHOWN ACROSS A CENTERLINE (⌀) SHALL BE CENTRALIZED WITHIN THE TOLERANCE INDICATED FOR THAT DIMENSION.

3. FINISHES:

CROWN HOLDER: GOLD PLATED, .000030 MIN THICK
 WITH OVERALL GOLD FLASH
 OVER NICKEL PLATED, .000040 MIN THICK

2. MATERIALS:

INSULATOR: THERMOPLASTIC, GLASS REINFORCED,
 UL94V-0 FLAMMABILITY RATED, COLOR-BLACK

CROWN HOLDER: COPPER ALLOY
 CROWN BAND: COPPER ALLOY
 MATING BLADE: COPPER ALLOY WITH GOLD OR NICKEL PLATED

1. PART NUMBER CHANGES AND OR DESIGN CHANGES AFFECTING ITEM INTERCHANGEABILITY REQUIRE PRIOR ELCON APPROVAL AND AUTHORIZATION BY REVISION TO THIS DRAWING.

NOTES: UNLESS OTHERWISE SPECIFIED

A

A

INCH OR INCH (MM)		DRAWN		DATE		1643906-1		AS SHOWN	
		HA NGUYEN		02/25/06		PART NUMBER		DESCRIPTION	
THIRD ANGLE PROJECTION		CHECKED				Tyco Electronics Corporation		ELCON	
UNLESS OTHERWISE SPECIFIED DIMENSIONS ARE IN INCHES (METRIC)		APPROVED				Menlo Park, Ca 94025		TITLE	
TOLERANCES		APPROVED				CONNECTOR, CROWN CLIP		SINGLE POLE APPLICATION	
ANGLES ± .5°		STEVE FLICKINGER		02/25/06		SIZE DWG NUMBER		REV.	
DECIMALS		DCA APPROVED				B C= 1643906		A	
.XXX ± .010 (.25)		HA NGUYEN		02/25/06		ACAD FILE NUMBER C1643906A.DWG		DWG SCALE 2=1 SH 1 OF 2	
.XX ± .02 (.5)									

4

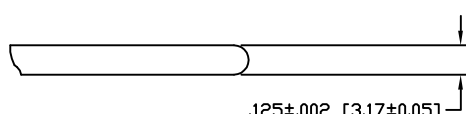
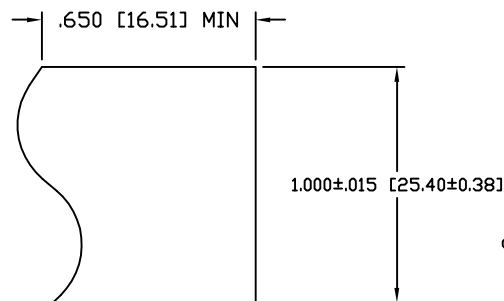
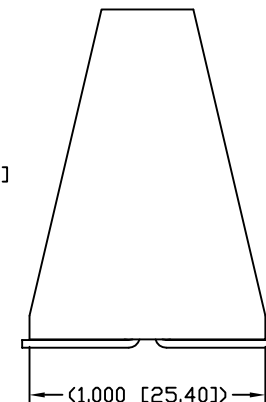
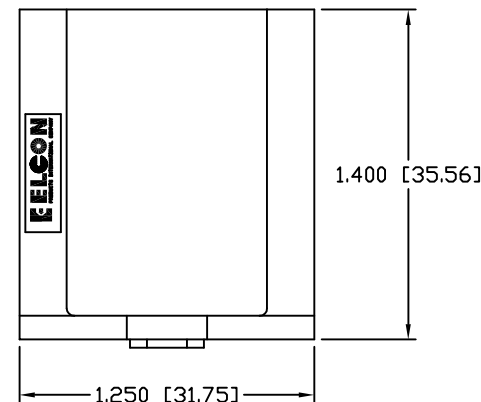
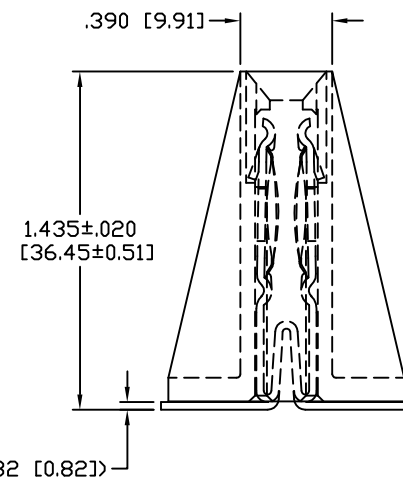
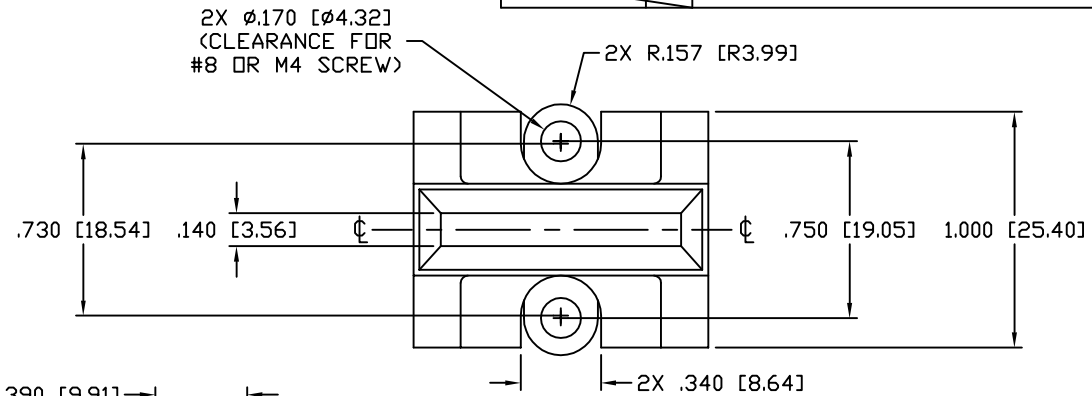
3

2

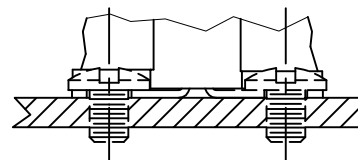
1

This drawing involves proprietary design rights of Tyco Electronics Corporation, and all design, manufacture, reproduction, use and sale rights regarding the same are expressly reserved. It is submitted for a specific purpose and the recipient by accepting this drawing, assumes custody and control and agrees to take reasonable precautions: (a) that this drawing will not be copied and reproduced, in whole or in part, or its contents revealed in any manner, or to any person except to meet the purpose for which it was delivered and (b) that any special features peculiar to this design will not be incorporated in other projects without the expressed written permission of Tyco Electronics Corporation.

REVISIONS			
EC	REV	DESCRIPTION	DATE
		SEE SHEET 1	



RECOMMENDED MATING BLADE



BACKPLANE ATTACHMENT
SCREWS ARE SHOWN FOR REFERENCE ONLY

INCH OR INCH (MM) THIRD ANGLE PROJECTION UNLESS OTHERWISE SPECIFIED DIMENSIONS ARE IN INCHES (METRIC) TOLERANCES ANGLES \pm .5' DECIMALS .XXX \pm .010 (.25) .XX \pm .02 (.3)	DRAWN HA NGUYEN	DATE 02/25/06	 Tyco Electronics Corporation Menlo Park, Ca 94025 	TITLE CONNECTOR, CROWN CLIP SINGLE POLE APPLICATION
	CHECKED			
	APPROVED STEVE FLICKINGER	02/25/06		REV. A
	DCA APPROVED HA NGUYEN	02/25/06		
	ACAD FILE NUMBER	C1643906A.DWG	DWG SCALE	2=1 SH 2 OF 2